



NED UNIVERSITY OF ENGINEERING & TECHNOLOGY
PROCUREMENT CELL

Tele # 99261261- 68, (Ext. 2291) Fax # 99261255, E-mail: ddff@neduet.edu.pk

“Say NO to Corruption”

Director Procurement

No. PC/M-IV/ 108533/ 2339

Dated: 12/04/2017.

TENDER NOTICE


Sealed Bids in C&F based on “Single Stage-Two Envelope Procedure” are invited from the Manufacturers / Authorized Dealers / Distributors / Suppliers registered with Income Tax and GST Departments for following Procurement:

S#	Tender		Tender Schedule – Date and Time				Tender Fee
	Number	Work	Issue / Sale		Submission	Opening	
			From	To			
1	PC/NED / Equip/ Earthquake-III/ 13 /17	Import of Laboratory Equipment for Department of Civil Engineering	14-04-2017	02-05-2017	03-05-2017 10-30 A.M	03-05-2017 11:00 A.M	5,00/-

Bid Security should be placed in Financial Proposal as per Clause 3 (a) of Instructions to Tenderers.

The bids shall comprise a single package containing two separate envelopes. Each envelop shall contain separately the “Financial Proposal” and the “Technical Proposal”. Tender Documents can be purchased from ADP-II office & shall be opened as per above schedule in same office.

A complete detail and specifications of the aforesaid tenders can be downloaded from the University website and SPPRA Website www.pprasindh.gov.pk. Procuring Agency may reject all or any bid subject to the provision of relevant Rules of SPPRA. Bidders are requested to give their Best and Final Prices as “No Negotiations” are expected.


Director Procurement
12/04/2017

NED UNIVERSITY
of Engineering & Technology
PROCUREMENT CELL

University Road, Karachi-75270. Tel: 9926 1261-68 Ext 2471 & 2291
Fax: 9926 1255 Email: cdf@neduet.edu.pk Web: www.neduet.edu.pk

NOTICE INVITING TENDERS

Ref No: PC/M-IV/108533/2339 Say NO to Corruption

Sealed Bids on C&F Cost based on "Single Stage-Two Envelopes" procedure, are invited from the Manufacturers / Authorized Dealers / Distributors / Suppliers registered with Income Tax and SPT Departments for following Procurements:

Tender No: PC/NED/EQUIP/EARTHQUAKE-III/13/17 Tender Fee: Rs. 500

IMPORT OF LABORATORY EQUIPMENT FOR DEPARTMENT OF CIVIL ENGINEERING

Tender Schedule - Date and Time

Issue / Sale	Submission	Opening
from 14.04.2017 to 02.05.2017 8:30 am-4:00 pm	03.05.2017 10:30 am	03.05.2017 11:00 am

Bid Security should be placed with Financial Proposal as per Clause 3(a) of Instructions to Bidders. The bids shall comprise a single package containing two separate envelopes. Each envelope shall contain separately the "Financial Proposal" and the "Technical Proposal". Tender Documents can be purchased from ADP-II office & shall be opened as per above schedule in same office.

A complete detail and specifications of the aforesaid services can be downloaded from the University Website www.neduet.edu.pk and SPPRA Website www.pprasindh.gov.pk. Procuring Agency may report all or any bid subject to the provision of relevant Rules of SPPRA. Bidders are requested to give their Best and Final Prices as "No Negotiations" are expected. Director Procurement

DAWN: 13.04.2017

NED UNIVERSITY
of Engineering & Technology
PROCUREMENT CELL

University Road, Karachi-75270. Tel: 9926 1261-68 Ext 2471 & 2291
Fax: 9926 1255 Email: cdf@neduet.edu.pk Web: www.neduet.edu.pk

پیشکشوں کی طلبی

Ref No: PC/M-IV/108533/2339 Say NO to Corruption

Sealed Bids on C&F Cost based on "Single Stage-Two Envelopes" procedure, are invited from the Manufacturers / Authorized Dealers / Distributors / Suppliers registered with Income Tax and SPT Departments for following Procurements:

Tender No: PC/NED/EQUIP/EARTHQUAKE-III/13/17 Tender Fee: Rs. 500

IMPORT OF LABORATORY EQUIPMENT FOR DEPARTMENT OF CIVIL ENGINEERING

Tender Schedule - Date and Time

Issue / Sale	Submission	Opening
from 14.04.2017 to 02.05.2017 8:30 am-4:00 pm	03.05.2017 10:30 am	03.05.2017 11:00 am

Bid Security should be placed with Financial Proposal as per Clause 3(a) of Instructions to Bidders. The bids shall comprise a single package containing two separate envelopes. Each envelope shall contain separately the "Financial Proposal" and the "Technical Proposal". Tender Documents can be purchased from ADP-II office & shall be opened as per above schedule in same office.

A complete detail and specifications of the aforesaid services can be downloaded from the University Website www.neduet.edu.pk and SPPRA Website www.pprasindh.gov.pk. Procuring Agency may report all or any bid subject to the provision of relevant Rules of SPPRA. Bidders are requested to give their Best and Final Prices as "No Negotiations" are expected. Director Procurement

HILAL -E- PAK: 13.04.2017

NED UNIVERSITY
of Engineering & Technology
PROCUREMENT CELL

University Road, Karachi-75270. Tel: 9926 1261-68 Ext 2471 & 2291
Fax: 9926 1255 Email: cdf@neduet.edu.pk Web: www.neduet.edu.pk

پیشکشوں کی طلبی

Ref No: PC/M-IV/108533/2339 Say NO to Corruption

Sealed Bids on C&F Cost based on "Single Stage-Two Envelopes" procedure, are invited from the Manufacturers / Authorized Dealers / Distributors / Suppliers registered with Income Tax and SPT Departments for following Procurements:

Tender No: PC/NED/EQUIP/EARTHQUAKE-III/13/17 Tender Fee: Rs. 500

IMPORT OF LABORATORY EQUIPMENT FOR DEPARTMENT OF CIVIL ENGINEERING

Tender Schedule - Date and Time

Issue / Sale	Submission	Opening
from 14.04.2017 to 02.05.2017 8:30 am-4:00 pm	03.05.2017 10:30 am	03.05.2017 11:00 am

ذریعہ: ہولی اینڈنگ کیلئے پائپٹ کی کٹ (a) کے مطابق مانی ٹیپوں کے مزاد چاہئے
پیشکش (2) ٹیپڈ ٹائپوں پر مشتمل ایک منگلی کٹ پر مشتمل ہوں گی۔
پیشکش میں مانی ٹیپوں اور دوسرے ٹائپڈ میں منگلی ٹیپوں کے ٹیپڈ ٹائپڈ ہوں گی۔
ٹیکنیکل دستاویزات ADP-II سے PO نامہ وار کیٹنگز کی فراہمی پر
فریدی ہونگی ہیں اور ٹیپڈ مزاد دہانے والے کے مطابق ایڈمز میں کھلے جائیں گے۔

مزاد پائپٹ کی عملیاتیات اور تعمیرات کی تعمیراتی کی ویب سائٹ: www.neduet.edu.pk
SPPRA کی ویب سائٹ www.pprasindh.gov.pk سے لائسنس کی جا سکتی ہیں۔
پرائیویٹ سیکٹر SPPRA کے متعلقہ قوانین کی بنیاد پر کسی بھی فراہم کنندہ کو سزا دیا جاسکتا ہے۔
ہولی اینڈنگ سے درخواست ہے کہ وہ اپنی بہترین اور سب سے زیادہ قیمتیں دہانے کی صورت میں کسی قسم کی گت و شنیہ کی
گواہی نہیں ہے۔
ڈائریکٹر پروکوریٹ

JANG : 13.04.2017

F/QSP 09/06/01

ISSUED ON: _____

ISSUED TO: _____

NED UNIVERSITY OF ENGINEERING AND
TECHNOLOGY, KARACHI

Commencement of New Engineering Programs and
Infrastructure Development (Mega-IV)



TENDER DOCUMENT

IMPORT OF LABORATORY EQUIPMENT
FOR DEPARTMENT OF CIVIL ENGINEERING
(EARTHQUAKE LABORATORY)

PC(M-IV)/NED/Equip/Earthquake-III/13/17

PROCUREMENT CELL

INDEX

S. No.	Title	Page No.
1	Tender Notice	1
2	Articles of Agreement	2
3.	Instruction to Tenderers	4
4.	Condition of Contract	12

ANNEXURES

(i)	Form of Tender “A”	24
(ii)	Technical Proposal Requirements / Technical Evaluation Criteria “A1”	26
(iii)	Specifications of Equipment and Bill of Quantities / Financial Proposal “A2”	29
(iv)	Tender Particulars “B”	38
(v)	Form of Schedule of Tender for Stores Manufactured/ Available in Pakistan without involving Import “C1”	39
(vi)	Form of schedule to Tender for Stores imported from approved Country “C2”	40
(vii)	Bid Bond “D”	42
(viii)	Contractors Performance Bond “E”	45
(ix)	Statement Describing Deviation from specifications “F”	47



NED UNIVERSITY OF ENGINEERING & TECHNOLOGY
PROCUREMENT CELL

Tele # 99261261- 68, (Ext. 2291) Fax # 99261255, E-mail: ddff@neduet.edu.pk

“Say NO to Corruption”

Director Procurement

No. PC/M-IV/ 108533/

Dated: _____-2017.

TENDER NOTICE

Sealed Bids in C&F based on “Single Stage-Two Envelope Procedure” are invited from the Manufacturers / Authorized Dealers / Distributors / Suppliers registered with Income Tax and GST Departments for following Procurement:

S#	Tender		Tender Schedule – Date and Time				Tender Fee
	Number	Work	Issue / Sale		Submission	Opening	
			From	To			
1	PC/NED / Equip/ Earthquake-III/ 13 /17	Import of Laboratory Equipment for Department of Civil Engineering	14-04-2017	02-05-2017	03-05-2017 10-30 A.M	03-05-2017 11:00 A.M	5,00/-
Bid Security should be placed in Financial Proposal as per Clause 3 (a) of Instructions to Tenderers.							
The bids shall comprise a single package containing two separate envelopes. Each envelop shall contain separately the “Financial Proposal” and the “Technical Proposal”. Tender Documents can be purchased from ADP-II office & shall be opened as per above schedule in same office.							

A complete detail and specifications of the aforesaid tenders can be downloaded from the University website and SPPRA Website www.pprasindh.gov.pk. Procuring Agency may reject all or any bid subject to the provision of relevant Rules of SPPRA. Bidders are requested to give their Best and Final Prices as “No Negotiations” are expected.

Director Procurement

ARTICLES OF AGREEMENT

This **Agreement** made this _____ day of _____ 2017, by and between the Vice Chancellor, NED University of Engineering and Technology, Karachi, including his successors in office and Assignees/ Agents, acting through the Director Procurement, hereinafter called the "**University**" of the one part.

And _____
of _____

(Name and signature authorized person)

_____, located at _____, hereinafter called the "**Contractor**" which expression shall include their successors, local representatives of the second part.

Whereas the **University** requires laboratory equipment at NED University, and whereas the Contractor has agreed to supply, install, put into operation and demonstrate the working of the said equipment valued at Rs. _____ (in figures and words) in the period of _____ months, subject to the terms and conditions set forth, hereinafter, which have been accepted by the **Contractor**.

(amount in figures and words)

Now this Agreement witnesses as follows:

1. In this agreement words and expressions shall have the same meaning as are respectively to them in the **Conditions of Contract** herein after referred to.
2. The following documents which, for the purpose of identification, have been signed by _____ on behalf of the **Contractor**, any by _____ (Name and signature authorized person) _____ on behalf of the **University**, all of which (name and designation of the authorized person) shall be deemed to form and be read constructed as a part of this **Agreement** viz.:

- a) Articles of Agreement
- b) Instructions of Tenderers:
- c) Conditions of Contract:
- d) Contractor's Offer including the relevant correspondence prior to signing of this Agreement with all Annexures duly filled in:
- e) The specifications of equipment; and
- f) Bill of Quantity with prices.

- 3. In consideration of the payment to the made to the **Contractor** hereby **covenants** with the University to supply, deliver, install, put into operation and demonstrator the working of the equipment in conformity in all respect of the Contract & the order form No. _____.
- 4. The **University** hereby **covenants to pay** Contractor in consideration of the supply, delivery, installation, putting into operation and demonstration of the working of the equipment the contract price in the manner prescribed by the Contract and approved by the University.

In witness thereof the parties have hereunto set their respective hands and seals, the day, month and year first above written.

WITNESSES:

University _____

Contractor _____

Witness No. 1 _____

Witness No. 1 _____

Signature: _____

Signature: _____

Name: _____

Name: _____

Designation: _____

Designation: _____

Witness No. 2 _____

Witness No. 2 _____

Signature: _____

Signature: _____

Name: _____

Name: _____

Designation: _____

Designation: _____

INSTRUCTIONS TO TENDERERS

The NED University of Engineering and Technology, Karachi intends to purchase Laboratory Equipment under the approved schemes. The purchase will be financed through the cash provided by the Government of Pakistan through Higher Education Commission Islamabad. This Tender is issued for the supply, installation, putting into operation and demonstration of the working of the Laboratory Equipment as per the schedule of requirements given in this Tender Document.

PREPARATION OF TENDER.

1. Language of Tender

The Tender along with any accompanying literature shall be prepared in **English** language only.

2. Submission of Tender / Bidding Procedure

- i. The bidding procedure as given in clause 46(2) of the SPPRA Rules i.e. Single Stage-two envelope procedure, will be followed in this Bid. A single package containing two separate envelopes clearly marked "Technical Proposal" and 'Financial Proposal' may be submitted as a bid.
- ii. Proposals must include the complete address of bidder's office with name, mailing address and telephones number of the person the Company should be contacted regarding the proposal.
- iii. A certified copy of the certificate of incorporation or charter or an equivalent document for proof of registration of the bidding entity must be attached with the proposal.
- iv. Furthermore, provision of a documentary proof of the competent and authorized signatory on behalf of the entity into contract with the company is mandatory at the time of proposal submission.
- v. Proposals must confirm that the bidder will comply with all provisions in this bidding document.
- vi. Proposals must be signed by a company officer empowered to bind the executing agency. A bidder's failure to include these items in the proposal may cause the proposal to be determined as non-responsive and the proposal may be rejected.
- vii. Technical proposal should be submitted as per format attached at Annexure-A1.
- viii. Financial proposal should be submitted as per B.O.Q. attached as Annexure-A2.
- ix. Required Review: Questions and concerns regarding this document must be made in writing and received by the concerned officer mentioned below at least ten working days before the proposal submission deadline.
- x. Amendments: If an amendment is issued, it will be communicated at all locations where the tender documents were originally placed.

3. Bid Bond and Contract Performance Bond

- a) The Tenderer shall enclose with his/her tender a **Bid Bond** on requisite stamp paper, as per **Annexure “D”** to this Tender Document along with Financial Proposal issued by a scheduled/commercial Bank doing business in Pakistan, for an amount equivalent to **2% of the total cost** of the Lab Equipment including alternate offer (if any) offered as per the Tender submitted by him/her, in the form of Pay Order / Demand Draft / Bank Guarantee from any scheduled / commercial banks operating in Pakistan. The Bid Bond shall be in favor of Director Finance, NED University of Engineering and Technology, Karachi including his successor in office and assignees acting through the Director Procurement, NED University of Engineering and Technology, Karachi. The bond so furnished shall remain **valid for a period 28 days beyond the period of validity of the Tender** or till it is revalidated/extended for a period mutually agrees upon by the tenderer and the Director Procurement, NED University of Engineering and Technology, Karachi.
- b) As soon as an award is made, the provisions in paragraphs **c), d) and e)** hereunder, shall **operate**.
- c) If the Tender is **rejected**, the Bid Bond will be returned to the tenderer as soon as possible after rejection.
- d) The **successful bidder** shall have to give a **Contract Performance Bond**, as per **Annexure “E”** to this Tender Documents, to the extent of **10% of the total value** of the contract on the same conditions as the Bid Bond. The Performance Bond shall be retained by the Director Procurement, NED University of Engineering and Technology, Karachi till the completion of the guarantee period as per Clause 23 of the Conditions of Contract.

4. Quality of Stores.

- a) The Equipment and other relevant materials (hereinafter called **“Stores”**) quoted and supplied against this “Invitation to Tender” shall be strictly in accordance with the **Specifications** attached with this Tender Document. The Stores shall be product of an established manufacturer shall conform internationally acceptable commercial standards, and shall be a model that has been successfully operated over reasonable period of time in educational institutions **R&D** organizations, or relevant industry.
- b) In Tenderers must also warrant the use of best material in the making of the stores, by the find that the Specifications for any items of the Stores are lacking in details, they may give their own proposals with detailed specifications, preferably there alternate proposals if possible, for such items in Annexure **“F”**.

- c) The Stores offered by the tenders must be of a quality suitable for the purposed and operations for which they are required, and must be capable of rendering the required performance and services at site in the local conditions of extreme tropical climate, air, dust, water, power and fuel at Karachi.
- d) The Hardware for operation of the Stores will be made available by the NED University of Engineering and Technology, Karachi.
- e) The electric supply for operation of the Stores will be available at 220 volt single phase, or 380 volt three phase, and 50 cycles.
- f) The Stores offered shall be complete with their standard accessories and must be accompanied by their normal instructions book/manual.
- g) Wherever possible or feasible, each item of Stores offered must have its own protection devices, e.g, overload protection by circuit breakers or fuses, or voltage stabilizer for electric equipment.
- h) Unless stipulated otherwise in the specifications for any item, the Stores conforming to ASA, SAE, SSI or DIN will be acceptable.
- i) The successful bidders may be asked to supply list of spares for 5 years satisfactory operation of any item of the Stores, prior to award of the contract.

5. Literature

The tenders must finish with their bids catalogues giving full technical details of the Stores to enable the University to check their offers technically against the prescribed specifications failing which the offers will be liable to rejection.

6. Principals Name, Certificate and Invoice.

- a) The tenderers are required to mention in their quotations/offers the name and address of their Principals along with a certificate authorized them (tenderers) to quote on their (Principals) behalf as under:

“This is to certify that M/s. _____ located at _____ have obtained quotations from us against tender inquiry No. _____ dated _____ from NED University of Engineering and Technology, Karachi due for operation on ____ and have agreed to make available the Equipment on the quotations and terms and conditions of the tender”.

The above condition does not apply to the manufacturers bidding directly.

- b) The tenderers must also furnish along with their offers their Principals original Proforma Invoice failing which their offers will be rejection.

7. Country of Origin.

The tenderers must state in his Tender the Country of Origin of the Stores offered.

8. Alternative Proposal

If any tenderer elects to submit alternative proposal(s) complete information on the alternative items including all data relating to technical specifications in Vol-I, II & III shall be given as per Annexure “F”.

9. Prices.

- a) **CATEGORY-‘A’** Stores Manufactured/Available in Pakistan without.
Involving Import.

The prices quoted must be total per unit in Pakistan Rupees as shown in **Annexure-“C-1”** and shall include:

- i. All charge for packing marking, handing, insurance, inspection, guarantees, freight/transportation, agent's commission, and all duties, taxes, levies, octrois, etc; and.
- ii. The cost of installation, putting into operation and demonstration of the working of the Equipment in the Laboratories of the NED University.

- b) **CATEGORY- “B”.** **Stores imported from approved Countries.**

The prices must be quoted for each item of Stores in **Annexure-“C-2”** separately for each of the PARTS given below:

PART-1. Payment in Foreign Currency.

The C&F prices quoted by the principals in the currency of the country of origin.

For the purpose of comparison, the prices quoted shall be converted to equivalent prices in Pakistani Rupees on the basis of the official bank rate prevalent on the date of opening of the Tender.

PART-2 Payment in Pakistani Rupees.

- (i) The agent's / supplier's commission in Pakistani Rupees.
- (ii) The insurance charges. The insurance will be arranged by the Contractor through the NED University with National Insurance Company Limited (NICL). The University will assist the Contractor in obtaining the insurance at concessional rates, if any, as allowed by the Government.
- (iii) The cost of installation, putting into operation and demonstration of the working of the equipment in the Laboratories of the NED University in Pakistani Rupees.
- (iv) All the charges pertaining to handling and clearance of the Stores at the port including all taxes, levies, octrois etc. but excluding the customs duties for the payment of which the NED University is exempted by the Government. However, if the customs duties are charged for any items of the Stores for which the Government the exemption, the NED University of Engineering and Technology, Karachi will make the payment

- (v) The transportation charges for transporting the Stores from the port to the Laboratories of the NED University including the charges for loading the Stores at the port and unloading the same at the NED University of Engineering and Technology, Karachi.

For the purpose of evaluation/comparison of bids, as stated in Clause-15, the total price for the Stores under this Category shall be sum of the amounts mentioned for Parts 1 & 2 above.

- (c) In addition to what is stated in para a) & b) above, the prices given in Annexure- C1 & C2 shall also include the following for the Stores of both the Categories-**A & B**.
- i. Supply, detailing, manufacturer, factory testing, export preparation and all costs incidental to shipping/transport up to the stage of installation in the Laboratory of the NED University.
 - ii. Responsibility for any loss and /or damage at any stage from manufacturer to installation in the Laboratory of the NED University.
 - iii. Provision for clean on boards bills of landing.
 - iv. The cost of export taxes, fees and charges levied and out going incurred on exporting goods in the country of origin.
 - v. The expenses on account of the certificate of origin, Invoices or any other documents issued in the country or origin.

10. Validity of Prices/Tender

- a) The prices quoted shall be valid for a period of at least 90 days from the date of opening of the tender.
- b) Until the final Contract is executed, the successful bidder shall be bound by the terms and conditions of the Tender Document.

11. Acceptance of the Terms

- a) The submission of the tender against this tender inquiry by the tenderer means that the tenderer has read and accepted the terms and conditions relating to all the tender documents and annexures, and that he/she have thoroughly examined the specifications and particulars in the tender inquiry. Further tender shall be deemed to be fully aware of the nature of the Stores and the purpose for which they are required and shall be bound to accept the Contract if placed with him/her on the basis of the prices and of the delivery schedule as indicated in Clause 12 hereof within validity of his/her Tender.

- b) If the Tender is awarded in favour of Proprietor/Principals who has no authorized agent or distributor in Pakistan, he/she shall have to appoint a distributor or nominee for the purpose of successful completion of the contract and to provide after-sales service.

12. Delivery Period

i. Shipment of Imported Items.

- a) The shipment of the items of Stores which are to be imported shall be started as early as possible, the shipment schedule shall be submitted to Director Procurement, NED University of Engineering and Technology, Karachi and shall be negotiable and subject to approval by the University.
- b) The tenderer must indicate in his/her offer the port from where the Stores will be shipped.

ii) Delivery Period

- a) The entire Stores must be delivered, installed and put into operation in the Laboratory of the Campus as early as possible after receiving the letter of award of the contract.
- b) The Tenderer shall give in the offer his/her own schedule for the delivery and installation of various items of the Stores which shall be negotiable and subject to approval of the University.

iii) Delay in the Delivery of the Stores.

- a) For the Stores delay beyond the delivery period, as specified in the Contract, or as approved by the University as stated in Clause 12 ii b) above, there shall be levied liquidated damages as specified in Cause 22 of the Conditions of Contract given in this Tender Document.
- b) The liquidated damages may be waived fully or partially by the Director Procurement, with the approval of the Vice Chancellor of the University, if there are reasonable grounds for such a delay.

13. Negotiations.

Under no circumstances will the negotiation take place with any tenderer with regard to Specifications and Prices quoted and read out at the public opening of the tenders and with regard to the substance of the offer. The Tenderer cannot revise their prices after the public opening of the tenders.

14. Rights of the University

- a) The University reserves the right to reject any or all bids without any reason whatsoever, or not waive minor irregularities or errors in any offer. If it appears to the University that such irregularities or errors must be corrected in the offer in which they occur, the same will be corrected prior to issue of the letter of intent which may be awarded thereupon.

- b) The NED University is neither bound to accept the lowest or any other offer nor is it bound to assign reason for rejection of any offer.
- c) The NED University reserves the right to award the contract to one bidder or divide it among several bidders.
- d) The NED University reserves the right to cancel the offer of the tenderer whose bid has been found/ evaluated to be the lowest if it is revealed to the NED University that the tenderer does not have the capability or financial resources or facilities to carry out the Contract in accordance with the terms and conditions of this Tender Document.

15. Bid Evaluation Criteria, Conditions and Process.

Eligibility: Firms / Suppliers, who are:

- Authorized Dealers / Agents of the Foreign Principals.
 - Registered with Income Tax, Sale Tax, Professional Tax (if applicable).
 - Having at least 5 year experience for supply of equipment to Educational Institutions
1. Only those bids will be evaluated which successfully meet the mandatory criteria given as follows:
 - a. Proof of Certificate of incorporation or Registration or equivalent
 - b. Proof of NTN Certificate and GST Registration Certificate (if applicable)
 - c. Affidavit that the Bidder is not insolvent and bankrupt.
 - d. Affidavit that Bidder has not been black listed or debarred by Public Procurement, Government, Semi-Government, Private, Autonomous body or any other international organization.
 2. Final assignment award will be on the basis of combined technical and Financial score in the following manner:

Proposal	Weightage
Technical	80%
Financial	20%
Total	100%

3. Technical evaluation criteria can be seen at Annexure-A1.
4. The bids scoring less than 60% marks in the Technical Evaluation will be rejected and their financial bid envelope will be returned unopened.
5. The final score of technical bid will be added to the financial score and final award of contract decision will be based on total of technical score plus financial score.

Selection – Evaluation Process

1. An evaluation committee will review in detail all proposals that are received to determine the extent to which they comply with bid document requirements.
2. Proposals that fail to meet bid document requirements may be rejected.
3. Proposals containing false or misleading statements regarding requirements of bidding documents may be rejected.
4. Financial/Bid price will be checked only if a proposal is determined to be technically qualified.

16.Errors in the Bids.

- (i) Any arithmetic errors found during evaluation of bids will be rectified on the following basis:
 - a) If there is a discrepancy between the unit price that is obtained by multiplying the unit price and quantity, the price shall prevail and the total price shall be corrected by the University.
 - b) If there is a discrepancy between the words and figures, the amount in figures shall prevail.
 - c) If there is any discrepancy between the total tender price entered in the Article of Agreement and the total shown in the Schedule of Prices, the amount stated in the Article of Agreement shall be corrected by the University in accordance with the corrected schedule of Prices.
- (ii) If the tenderer does not accept the corrected amount of the tender, his/her Tender will be rejected and the Bid Bond submitted with the tender shall be forfeited.

17.Foreign Exchange for Items of Stores to be imported.

For the items of Stores which are to be imported and for which the prices have been quoted on C&F basis in Annexure C-2, the University will arrange payment in the foreign currency, to the extent of C&F amount, as stated in Clause 9(b), through its bank in Pakistan in accordance with the prevailing foreign exchange control rules/regulations of the Government of Pakistan.

CONDITIONS OF CONTRACT

1. Scope of the Contract

- a) The **Scope of the Contract** shall be the supply, delivery, installation, putting into operation and demonstration of the working of the Stores in the Laboratory of the NED University, Karachi, in accordance with the technical Specifications and Bill of Quantities enclosed in this Tender Document.

- b) The Contractor shall within a period of one month of the execution of the agreement furnish to the University a **detailed program** for supply and delivery of various items of the Stores for necessary approval by the University.

2. Definition of Terms

In writing these Conditions of Contract, Specification and Bill of Quantities, the following words shall have the meaning hereby indicated, unless is something in the subject matter or Contract Inconsistent with such constructions:

- i. **The University** shall mean the NED University of Engineering and Technology, Karachi.

- ii. **The Vice Chancellor** shall mean the Vice Chancellor of NED University of Engineering and Technology, Karachi, including his successor in office and assignees, empowered to act in all matters pertaining to the University either directly or through the Director Procurement, NED University of Engineering and Technology, Karachi.

- iii. **The Contractor or Supplier** shall mean the Tenderer (Bidder) whose Bid has been accepted by the University and shall include the Bidder's executors, administrators, successors and permitted assignees.

- iv. **The Stores** shall mean and include all the Laboratory Equipment, literature, materials and articles to be provided by the Contractor under the Contract.

- v. **The Contract** shall mean the agreement signed by the Contractor for the supply, delivery, installation, putting into operation and demonstration for the working of the Stores, as stated under the Scope of the Contract above.

- vi. **The Contract Price** shall mean the sum mentioned in or calculated in accordance with the provisions of the Contract, which is to be paid to the Contractor for satisfactory execution of the Contract in accordance with these conditions of Contract.

- vii. **The Specifications** shall mean the specifications annexed to or issued herewith, and shall include the schedule and drawings attached hereto as well as the samples and patterns if any.
- viii. **Month** shall mean the Calendar month.
- ix. **Writing** shall include any manuscript, type-written, printed or other statement reproduced in any visible form and whether under seal or under hand.
- x. HOD means Head of the Department.

3. Contract Documents.

- a) The terms **Contract Document** shall mean the following documents which shall be deemed to form an integral part of the Contract:
 - i. Articles of Agreement;
 - ii. Instruction to Tenderers;
 - iii. Conditions of Contract;
 - iv. Contractor's Proposal/Offer including the relevant correspondences prior to signing of the agreement with all Annexures duly filled in;
 - v. The Specifications of the Stores; and
 - vi. Bill of Quantities with prices.
- b) In the event of any **conflict** between the above mentioned documents, the present Articles of Agreement and Conditions of Contract prevail.

4. Signing of the Contract Agreement

Within 30 days of the issue of the letter of intent, the successful bidder (bidders) will be required to **sign an agreement** with the University for the Supply of

quantity, in whole or in part, of the tendered Stores as will be communicated to him/her (them) in the letter of intent.

5. Packing, Marking and Heading

- a) All the Stores whether imported or locally manufactured/available, shall be delivery to the University at NED in **safe and secure** condition at the risk and cost of the Contractor,
- b) The packing, marking and handling shall be so arranged by the Contractor as to **prevent any loss of damage** to the Stores.

CC- 03

- c) In case any of the items of the Stores are to be imported by the Contractor, the **Import** shall be **arranged by the Contractor** himself/ herself with such packing and marking and through such means as deemed fit by him/her for safe and secure delivery at NED University of Engineering and Technology, Karachi. The packing of the equipment shall be usual export packing to ensure safe journey by air, sea, rail and road, as the case may be, of the Stores to destination. Each packing shall be clearly marked in English with the following:
- i. Port of Destination: Karachi
 - ii. Name of Ship: _____
 - iii. Name of the Consignee: Director Procurement, NED
University of Engineering and
Technology, Karachi
- i. Name of the Contractor: CONTRACTOR'S NAME & ADDRESS
 - ii. Case Number & Contractor: _____
 - iii. Net Weight & Dimensions: (length, Breadth & Height)
 - iv. Gross Weight: (KG.)
 - v. Number & Date of Contract: _____
 - vi. Marking: NED University of Engineering and
Technology, Karachi
in a 6 in. x 4 in. rectangle

6. Transportation and Shipment

a. For Stores to be Imported

- (i) All those items of Stores which are to be imported by the Contractor shall be **shipped** by whatever means the Contractor deems fit **at his/ her risk and cost**. The Contractor must keep the university informed of the shipping arrangements, schedule of shipping, arrival at the port, clearance from the port, and transportation from the port to the NED University at Karachi.
- (ii) **All costs** of loading of the Stores from the wharves at port of shipment and also the cost of ship wharf age / berthing, demurrage charges, stevedoring, handling charges and other port and river dues in respect of shipment companies vessels at the port of shipment and all other

expenditure up to the stage of placing the Stores at rest on board the ship and the freight charges shall be **borne by the Contractor**.

- (iii) Similarly all costs of unloading the Stores at the wharves, wharf age / berthing, demurrage, stevedoring, handling charges and other port dues at the port of arrival in Pakistan and transportation from the port up to the stage of placing the Stores position in the laboratory of the NED University shall be borne by the **Contractor**. In order to facilitate the clearance of the Stores at the port of arrival, a clearing agent will be engaged by the University, in consultation with the Contractor, who will get the Stores cleared with the assistance of the University and the Contractor, and the clearing agent's charges shall be **borne by the Contractor**.

- (iv) All things being equal, **Pakistan flag ships** should be used, as far as possible, for shipment of the Stores. If no such ship is available, such other ships may be used consistent with the execution of this Contract with economy and efficiency.
- (v) The stores must be shipped **under deck**
- (vi) The Contractor shall send by air mail/ courier service of personally deliver 4 (four) sets of non-negotiable shipping documents direct to the Director Procurement, NED University of Engineering and Technology, Karachi, so as to reach him at least 8 (eight) days before arrival of the ship at the port in Pakistan

b. For Stores Manufactured/ Available in Pakistan

- (i) All those items of the Stores which are to be manufactured in Pakistan, or are to be supplied from the locally available stocks (whether imported or manufactured in Pakistan), may be transported from the place of manufacture or availability to Karachi **any mode of transportation** as deemed convenient and suitable by the Contractor at his/ her risk and cost.
- (ii) **All costs** of handing, loading, transportation, unloading and placing the Stores in position in the Laboratory of the Campus shall be **borne by the Contractor**.

7. Pre-shipment and After-fabrication Inspection.

- a) The **pre-shipment inspection** and / or the inspection of the Stores Principals/ Proprietor at the premises, if desired by the Contractor, shall be arranged by the Contractor at his / her own cost. The responsibility for the quality, quantity, correctness and adherence to the Specifications etc. of the Stores shall lie solely and squarely on the Contractor.
- b) The NED University may, at its discretion, waive pre-shipment inspection and hence issue the waiver in writing so that the stores could be shipped under manufacturer's test certificate. This waiver shall be deemed as authorization to ship for the purpose of negotiating the letter of credit under Clause 13(b)ii.
- c) The pre-shipment inspection and/ or the waiver thereof shall in no way above the Contractor of any of his obligations under this Contract.

8. Insurance

The **Contractor shall arrange** the insurance for the Stores from Messrs. National Insurance Company Limited (NICL) at his/ her risk and cost. The prices quoted in the offer of the Contractor shall include the cost of insurance.

9. On-arrival Inspection

There shall be inspection of the Stores by the representatives of this University after arrival in the laboratory of the NED University in presence of the Contractor of his authorized representatives and the representative of the Insurance Company. This **inspection report**, which, inter-alia, should indicate the condition in which each item of the Stores has been received, shall be signed by the above representative. The Contractor shall coordinate with the Director Procurement, NED University and the insurance company for arranging the inspection at such date and time as is convenient to the above representatives.

10. Taking Over

Upon receipt of the equipment in the Laboratory of the NED University and after inspection, as stated in Clause 9 above, the NED University will issue a **Taking-over certificate** in respect of those items of Stores which are received in acceptable condition. The taking-over of the damaged items will be with-held until the same are repaired / replaced and are re-inspected and found in acceptable condition.

11. Installation and Demonstration of Stores

a). Installation

- i) After inspection and taking over of the Stores, as state in Clauses 9 and 10 above, the **Contractor shall install** those items of Stores which are to be permanently positioned in place in the laboratories of the NED University. For this purpose, the Contractor shall co-ordinate with the Project Coordinator Mega-IV, NED University, for making arrangements for the Hardware needed for the installation.
- ii) The cost of hardware **for installation** shall be borne by the NED University. The Contractor shall provide, along with his offer, the details of the hardware needed for each item of the stores separately. The technical and other personnel needed for installation of the Stores shall be provided by the Contractor at his cost. The entire cost of installation, configuration, application except that of the needed hardware, shall be borne by the Contractor.

b). **Demonstration**

- i). After installation of the Stores, as stated in Clause 11 a) above, the complete **working of each item** of Stores for the purpose of performing the intended Laboratory experiments, testing of specimens and recording of the test results etc., shall be demonstrated fully to the designated staff of the NED University by the Contractor or his technical personnel.
- ii) The entire **cost**, including the T.A. / D.A. of the personnel involved in the demonstration, shall be **borne by the Contractor**.

12. Completion Certificate

After completion of the installation and demonstration, as stated in **Clause 11** above, a certificate is to be obtained by the Contractor from the concerned **Head of the Department** stating that the Stores (Item-wise) have been satisfactorily installed and demonstrated by the Contractor.

13. Terms of Payment

The Contractor shall be paid for Stores in the following manner:

a) Category A: **Stores Manufactured/Available in Pakistan**

without involving import.

- i. For all those items of stores for which the completion certificate has been issued by the NED University, as stated in **Clause 12**, above the NED University will pay to the Contractor total price of the items quoted by the Contractor.
- ii. The payment for those items of Stores for which the completion certificate has not been issued by the NED University, as stated in Clause **12** above, will be with-held and released only after the damaged items are replaced/repared, re-inspected and found in satisfactory condition with consequent issuance of the completion certificate. The payment will be made in the same manner as stated in Clause **13 a) i** above.

b) Category B: **Stores imported from approved Countries.**

The payment for this category of Stores will be made in two parts as under:-

PART-1 Payment in Foreign Currency

- i. An irrevocable **letter of credit** of one hundred percent (100%) of the C&F price, in the currency quoted by the Principals, will be opened in a bank in the country of origin in favor of Principals /Contractor within 30 days after signing the Contract.

- ii. One hundred percent (100%) of the letter of credit amount will be paid against presentation of the shipping documents to the bank through the above letter of credit. The required shipping documents include.
- Clean on board bill of lading;
 - Contractor's detailed invoice showing description of the Stores, specifications, quantity, unit price and local price.
 - Detailed packing list;
 - Certificate of origin of the Stores' and
 - Certificate of pre-shipment/after-fabrication inspection or authorization to ship the Stores as per Clause-7.

Part-2: Payment in Pakistani Rupees

The Rupee component of the price of the Stores as stated in Clause 9 b) of "**Instruction to Tenderers**" will be paid to the Contractor in the following manner:

- i. For all those items of Stores for which the taking over certificate has been issued by the NED University, as stated in Clause **10** above, the NED University will pay to the Contractor seventy percent (70%) of the total price of the items quoted by the Contractor, the remaining thirty percent (30%) will be paid after presentation of the completion certificate, as stated in Clause 12 above.
- ii. The payment for those items of Stores for which the completion certificate has not been issued by the NED University, as stated in Clause **10** above, will be withheld and released only after the damaged items are replaced/repared, re-inspected and found in satisfactory condition with consequent issuance of the completion certificate. The payment will be made in the same manner as states in cause **13 a) i** above.

14. Warranty/Guaranty

- a. The Contractor shall **warranty** that the stores shall be fit for the purposes and operation mentioned in the relevant clause of the "**Instructions to the Tenderers**" and **Condition of Contract**" notwithstanding the fact that the entire Stores, or any item or part of the Stores, bear or are found to bear a patent or trade mark.

- b. The Contractor shall guarantee supply of good quantity Stores in accordance with the Specifications and as states in Clauses 4 and 5 of the "Instruction to the Tenderers". Further, the Stores shall be brand new and absolutely free from all defects in material, quality and workmanship. In case of defects, the defective Stores, or the defective parts/components of the Stores thereof, shall be replaced by the Contractor free of cost to NED University within reasonable time.

15. Breach of Contract

In case of breach of warranty/guarantee or Contract, the **damages** suffered by the NED University shall be **recovered from the Contractor** out of any payment due to the Contract and / or in accordance with the terms and conditions of the Contract Performance Bond given at Annexure "E" enclosed with this Tender Document, without notice to the Contractor.

16. Contractor's Default Liability

- a. The University may upon written notice of default to the Contractor **terminate the Contract** in the circumstance detailed hereunder:
 - i. If in the judgment of the University, the Contractor fails to make delivery of the Stores within the time specified in the Contract Agreement or within the period for which extension has been granted by the University, and
 - ii. If, in the judgment of the University, the Contractor fails to comply with any of the other provision of the Contract.
- b) In the event the University terminates the Contract, in whole or in part, as provided in Clause **16 a)** above, the University reserves the right to **Purchase**, on such terms and conditions as it may deem appropriate, Stores similar to the one terminated, the Contractor will be liable to the University for any additional costs for such **similar Stores**, and / or for liquidated damages for delay, as defined in Clause **22** of the Conditions of Contract until such reasonable time as may be required for the final supply of the Stores.
- c) If the Contractor is terminated, as provided in Clause **16 a)** above, the University in addition to any other rights provided in this Clause, may require the Contractor to **transfer title** and deliver to the University under any of the following cases in the manner and as directed by the University:
 - i. Any **completed Stores**; and
 - ii. Such **partially completed Stores**, drawings, information and contract right (hereinafter called manufacturing materials) as the Contractor has specifically produced or acquired for the performance of such parts of the Contract as has been terminated.
- d) The NED University will **pay to Contractor** the Contract Price for the completed Stores delivered to and accepted by the NED University and also for the manufacturing materials delivered and accepted.
- e) In the event the University does not terminate the Contract, as provided in Clause **16 a)** above the Contract, shall continue with the performance of his/her Contract, in which case the Contractor shall be liable to the NED University for **Liquidates damages for delay** as set out in Clause **22** unit the Stores are accepted.

17. Bankruptcy

If the **Contractor** shall become **bankrupt** or have a receiving order made against him/ her or compound with his/ her creditors, or being a corporation commence to be wound up, not being a voluntary winding up for purpose of amalgamation or reconstruction, or carry on business under a receiver for the benefit of its creditors or any of them, **the University shall** be at liberty to:

- a. **Terminate the Contract** forthwith by a notice in writing to the Contractor or to the liquidator or receiver or to any person in whom the Contract may become vested, and to act in the manner provided in Clause 16 above as through the last mentioned notice has been the notice referred in such Clause and the Stores have been out of the Contractor's hand; and /or
- b. Give such liquidator, receiver or person the option of **carrying out the Contract** subject to his/her providing a guarantee for the due and faithful performance of the Contract upto an amount to be determined by the University.

18. Termination of Contract

- a) If, for any cause as set forth in Clause **19** hereafter, the Contractor finds it impracticable to continue operation or, if owing to force majeure or to any cause beyond its control, the NED University finds it impossible to continue operation, then **prompt notification** in writing shall be given by the party affected to the other.
- b) If the delay or difficulties so caused cannot be expected to cease or become avoidable, or if operation cannot be resume within six months, then either party shall have the right to terminate the Contract by giving **ten(10) days written notice** to the other.
- c) In the event of termination of the Contract under this Clause, **payment** will be made to the Contractor as follows:
 - i) The Contractor shall be paid for all the Stores for which the completion certificate has been issued, as stated in Clause **12**, and for all reimbursable expenses due and unpaid.
 - ii) The Contractor shall also be paid reasonable for any work done during the said six months period as well as for settlement of any financial commitment made in connection with proper performance of the Contract and which are not reasonably defrayed by payments under i) above.
 - iii) On termination of the contract for any cause, the Contractor shall see to the orderly suspension and termination of operation with due consideration to the interests of the NED University with respect to completion, safeguarding or storing of the Stores product for the performance of the Contract and the salvage and resale thereof.

19. Force Majeure.

The **Contractor shall not be liable** for any additional cost or for liquidated damages for delay or an failure to perform the Contract rising out a force majeure or cause beyond his/ her control including acts of God, or of the public enemy, or of the Government, fires floods, epidemic quarantine restrictions, strikes, freight embargoes and default od subcontractors due to any such cause (unless the Campus shall determine that the Stores to be furnished by the Contractor might reasonable have been obtained from other sources in sufficient time to allow the Contractor to meet the required time schedule), provided that the Contractor shall within ten(10) days from the beginning of such delay notify the NED University in writing of the **cause of the delay**. The NED University shall ascertain the fact and the extent of the delay and **extend the time** for completion the supplies as in its judgment the findings justify.

20. Rejection

- a) In the event any portion of the Stores supplied by the contractor is found before taking over to be **defective in material or workmanship**, or otherwise not in conformity with the requirements of the Contract, the University shall have the right to either reject or require, in writing, rectification of the Stores. In the later case, the Contractor shall with utmost diligence, and at his own expense, make good the defects so specified or replace the defective Stores. If the Contractor fails to rectify or replace the rejected Stores, the University may adopt any of the following options:
- i) **Replace or rectify**, at its option, such defective Stores and charge to the Contractor the excess cost accessioned to the University plus (15%) fifteen percent; or
 - ii) Acquire the said Stores **at a reduced price** considered equitable under the circumstances; or
 - iii) **Terminate the Contract** as provided in Clause 18 of the Conditions of Contract.
- b) Nothing in this Clause shall affect any claim by the University under Clause 22 hereafter.

21. Extension of Time

If the completion of the Contract is delayed due to reason beyond the control of the Contractor, the Contractor shall without delay request the University, in writing, of his **claim** for an extension of time. The University on receipt of such request may agree to **extend the completion date** as may be reasonable in the circumstances of the case but without prejudice to other terms and condition of the Contract.

22. Delay in Delivery-Liquidated Damages

- a) Should the **progress** of the Contract at any time **lagging behind** the program agreed between the University and the Contractor, the University will notify the Contractor in writing and the Contractor shall there upon take such steps as he/she may deem fit to **expedite the progress** of the Contract. Non-issuance of this notice by the University shall not in any way absolve the Contractor of the liquidated damages as stated in Clause **22 b)** below.

- b) If the Contractor **fails to complete the Contract**, in full or part, within the time laid down in the Contract Agreement or any extension thereof, there shall be deducted from the Contract Price, as **liquidated damages**, a sum of one half of one percent (**0.5%**) of the **Contract price** of each unit of the delayed Stores for each calendar week of delay subject to the maximum of ten percent (10%) of the Contract Price of the unit or units so delayed, and such deduction shall be in full satisfaction of the Contractor's liability for the said failure.

23. Period of Guarantee

- a) The terms **period of guarantee** shall mean the period of **twelve (12) months** from the date on which the Stores have been put into operation and demonstrated to NED University staff. In any case this period shall not exceed eighteen (18) months from the date of taking-over certificate.

- b) During the period of guarantee, the Contractor shall **remedy**, at his/her expense, **all defects** in design, materials, and workmanship that may develop or are revealed under normal use of the said Stores upon receiving written notice from the NED University, the notice shall indicate in what respect the Stores are faulty.

- c) The provisions of this Clause include all **expenses** that Contractor may have to incur for delivery and installation of such replacement parts, materials, and equipment as are needed for satisfactory operation of the Stores at the NED University premises.

24. Non-assignment

The Contractor shall **not have the right to assign or transfer** without the prior approval of the University the benefit and obligations of the Contract or any part thereof.

25. Expenditure under Contract

The Contractor shall not make any expenditure for the purpose of this Contract in any **country not authorized** by the Government of Pakistan.

26. Certificate Not to Affect the Rights of the University or the Contractor

No certificate of the University on account nor any sum paid on account by the NED University nor any extension of time for the delivery of the Stores pursuant to Clause 19 shall affect or **prejudice the rights of the University** against the Contractor nor relieve the Contractor of his obligation for due performance of the Contract or be interpreted as approval of the Stores supplied, and no certificate shall create liability of the NED University to pay for the alterations, amendments, variations, etc. not ordered in writing by the University discharge the Contractor for the payment of damages or of any sum against the payment of which he /she is bound to indemnify the NED University nor shall such certificate nor the acceptance by him/ her of any sum paid affect prejudice the **rights of the Contract** against the NED University.

27. Payments Due from the Contractor

All costs, ascertained damages or expenses for which under Contract the Contractor is liable to the NED University may be deducted by the Campus from any money due or may become due to the Contractor under the Contract or may recovered by action of law or otherwise from the Contractor.

28. Legal Proceedings

The Contract and the Tender Documents are Governed by the **Laws of Pakistan** and proceedings to or arising out of any of them shall be instituted in any courts other than those suitable at Karachi.

29. Dispute

Should any question or dispute arise as to the materials, design, construction or delay in the supply of the Stores or the purpose or the performance for which they are required or are warranted, the NED University shall nominate and independent certifier/expert having knowledge of laboratory equipment, etc. who will, after affording the parties to the dispute an opportunity to present their contention, and after having tests made as the certifier deems fit, certify whether there has been any breach of Contract or warranty and, if so what sum shall be paid to the NED University in diminution or extinction of price, and such certificates shall be final and binding and shall not be questioned and shall be acted upon in arbitral or order legal proceedings. The award of the costs of the certifier will be within his/her own discretion and shall be recoverable from the party against which the costs are awarded.

30. Arbitration

All disputes and matters of difference whatsoever (other than those relating to the certificate of expert) between the University and the Contractor relating to and arising out of the Contract and Tender Documents shall be referred to arbitration under the arbitration act 1940 with amendments and re-amendments thereof, each party nominate its own arbitrator. The umpire will be nominated by the arbitrators within the first three arbitral hearing. The **award of the**

arbitrators or of the umpire shall be final and binding upon the parties. The arbitral proceedings shall be held at Karachi.

**FORM OF TENDER
(Letter of Offer)**

Tender Reference No.: _____ dated _____

Name of Contract: _____

The Director Procurement,
NED University of Engineering and
Technology, Karachi

Dear Sir,

1. Having examined the Tender Documents including instructions to Tenderers, Conditions of Contract Specifications, Drawings, Schedule of prices and Addenda Nos. ----- for the execution of the above-name Contract, we the undersigned, being a company doing business under the name and address -----
----- and being duly incorporated under the laws of Pakistan hereby offer to execute and complete such Contract and remedy any defects therein in conformity with the said Documents including Address thereto for the total Tender price of Rs. ----- (in figures and words) or such other sum as may be ascertained in accordance with the and Documents.
2. We understand that all the schedules attached hereto form parts this Tender.
3. As security for due performance of the undertakings and obligations of this Tender, we submit herewith a Bid Bond referred in Clause 3 of the Instructions Tenderers and as per Annexure "D", in the amount of Rs. _____ (in words and figures) drawn in favour of or payable to NED University of Engineering and Technology, Karachi, and valid for a period of 28 days beyond the period of validity of this Tender.
4. We undertake, if our Tender is accepted, to complete the whole of the work comprised in the above-named Contract within the time stated in Clause 12 of the Instructions to Tenderers.
5. We agree to abide by this Tender for the period of 120 days beyond the date of opening of the Tender, and it shall remain binding upon us and may be accepted at any time before the expiration of this period.
6. Unless and until a formal Contract Agreement is signed, this together with your acceptance thereof, shall constitute a binding contract between us.
7. We undertaking, if our Tender is accepted, to execute the Contract Performance Bond referred to in Clause 3 of the Instructions to Tenderers and as per Annexure "E" for the due performance of the Contract.

8. We understand that you are not bound accept the lowest or any Tender you may receive.
9. We do hereby declare that this Tender is made without any collusion, comparison of figures or arrangement with any other person making a Tender for the above-named Contract.
10. We confirm, if our Tender is accepted, that all partners of the joint venture shall be liable jointly and severally for the execution of the Contract and the composition or the constitution of the joint venture shall not be altered without the prior consent of the vice Chancellor, NED University of Engineering and Technology, Karachi, (Please delete this clause in case of tender from a single firm).

Dated this _____ day of _____ 2017

Signature _____ in the capacity of _____ duly authorized

to sign Tender for and on behalf of _____
(Name of Tenderer in Block Capitals)

Address: _____

Witness:

Name : _____

Address _____

Occupation: _____

TECHNICAL PROPOSAL REQUIREMENTS

The Contractor / Firm required to submit the following which are mandatory for technical proposal.

- Manufacturing License / Authorization Letter
- Valid Income Tax Registration
- Valid General Sales Tax Registration (Status active with FBR)
- Undertaking on Judicial Paper that the firm is not blacklisted and not involved in litigation with any of provincial or Federal Government Department, Agency, Organization or autonomous body anywhere in Pakistan. In case involved in any litigation process, proof of dispute resolution is required.

A. Profile

- Company Profile showing Financial Strength and turn over for last 03 years
- No of years company is serving in the filed
- Locations / Address of Company Offices in all over Pakistan

B. Experience

- Documents / Certificates showing complete past Projects.
- Documents / Certificates of completion of similar nature of Projects from Clients

C. Technical Staff

- List of Technical / Engineering Staff, Supporting Staff etc.
- List of personnel / staff having specialization in relevant filed.

D. Technical Bid Completeness / Closeness to Specification

- Details of specifications of respective offering items on manufacturer / dealer's letter along with catalogue, brochures, diagrams, presentation, all other relevant documents etc.

EVALUATION OF PROPOSALS

Parameters of Technical Evaluation

Sections	Score	Score obtained
A. Profile	15	
B. Experience	15	
C. Technical staff	10	
D. Technical Bid Completeness / Closeness to Specification	60	
Total	100	

Technical Evaluation Criteria:

A. Profile (15)					
S. No.	Attributes	Max Score	Score Distribution	score obtained	Requirements
1	Financial Strength	8	8		More than or equal to 50 Million turnover
			5		40 Million turnover
			3		Up to 20 Million
2	Company established (No. of years)	5	5		10 or more years
			3		3 or more years
			2		2 or more years
3	Location of Offices	2	2		Offices at Karachi and other places of Pakistan
			1		Office in only one city
Total		15			

B. Experience (15)					
4	Successfully completion of projects of other organizations	07	07		Government Sector
			04		Private Sector organization
5	Projects of similar nature, particularly in public sector organizations/universities	05	05		More than 05 projects
			03		More than 03 projects
6	Number of referenceable completion certificate	03	03		5 or more completions
			02		3-4 completions
			01		1- 2 completions
Total		15			

C. Technical Staff (10)					
7	Total Strength of relevant Technical Staff	10	10		Firm having more than 10 relevant technical Staff, 02, having specialization
			8		Firm having more than 05 relevant technical Staff, 01 having specialization
			5		Firm having at least 05 relevant technical Staff, 01, having specialization
Total		10			

D. Technical Bid Completeness / Closeness to Specification (60)					
8	Technical Bid Completeness / Closeness to Specification (Documentary Proof, Broachers, Diagrams, Presentations etc.)	60	60		Between 95% to 100% Closeness / Completeness
			50		Between 85% to 95% Closeness / Completeness
			40		upto 80% Closeness / Completeness
Total		60			

**NED UNIVERSITY OF ENGINEERING AND TECHNOLOGY
DEPARTMENT OF CIVIL ENGINEERING**

**SPECIFICATIONS AND QUANTITIES OF EQUIPMENT
EARTHQUAKE ENGINEERING LABORATORY**

EARTHQUAKE LABORATORY

Item Code	Item	Description / Specifications	Qty.	Unit Price	Total Amount
EQD / EEL-01	Hydraulic Linear Actuators	<p>Providing, supplying and commissioning of hydraulic jack systems complete with hose pipes of required lengths, power pack with service manifolds, spherical saddle and retainers complete in all respect including training of lab staff members.</p> <p>a) Double acting hollow Jack 1600 kN center hole 80mm with a load cell.</p> <p>b) Double acting plain ram jack 1500 kN with a load cell</p> <p>c) Double acting plain ram jack 500 kN with a load cell.</p>	02 01 01		
EQD / EEL-05	Load Frame for Testing of Columns	<p>Providing, supplying and commissioning of load frames for testing of columns, beams and joints as per the specifications enclosed including pad jacks of suitable capacity with adjustable seating pads, integrated power pack and manifold with hose set of adequate length, training of lab staff members, etc.</p>	01		

EQD / EEL-06	Two way crane for AMTL	Providing, supplying and commissioning of 10 ton capacity two-way crane, hoist unit, double gear type capable of lifting 7 m free hook travel, double speed, completely assembled wired and tested, maintenance kit with spare parts, etc. The hoist must be designed in accordance with BS 466 and BS 2573 or equivalent. Hand brake release mechanism to lower the weight in case of power failure, automatic motor for slowing down, hoist control panel, safety switch, electric cables, etc must also be provided.	01		
Total Amount.....					

FIRE LABORATORY

Item Code	Item	Description / Specifications	Qty.	Unit Price	Total Amount
EQD / FL-04	4"Φ natural gas connection at the furnace	Providing, supplying and commissioning high pressure MS pipe 4 in. in diameter capable of resisting high temperature and nominal pressure up to 5000 lbs as per ASTM or BS standard including accessories such as LGP storage tank with a capacity of 2000 Kg and flow rate of 160 Nm ³ /hr, 4" outlet nominal pressure regulation 1 to 5 psi, gas expander for constant pressure, tee, elbow, safety valves, etc. Pipe length is approximately 100 m.	01		
Total Amount.....					

Load Frame Specifications

1. Introduction

The following specification relates to the manufacturing and supply of a multi-structure Load Frame for Testing of structural components for the Testing Facility in the Department of Earthquake Engineering at NED University. The load frame is a modular system consisting of U shaped frames which is capable of testing columns, joints and beams. The columns could be up to 24x24 in with length 7-12 ft. The sketches of the assembly are enclosed here with for reference purposes only (Appendix A-C). The bidder shall provide complete design and shop drawings for approval. The assembled frame is to be designed for the load capacities and testing arrangements as indicated in the sketched in Appendix A-C. The supports and spreader beams shown in Appendix D will also be part of the frame supply. In addition, rectilinear displacement transducer with cylindrical case (potentiometers) model PZ12A-50-000X000x2 and PZ12A-25-000X000x2 (12 Nos. each), spring loaded LVDTs of 50 mm and 100 (4 Nos. each), and load cell of 300 kN capacity (1 No) will also be provided by the bidder.

The portal frame is designed to be a fatigue resistance structure; as such, care must be taken in the construction and fabrication techniques to assure that the manufacturing process is consistent with this objective. The shop drawings must call out all of the dimensional aspects and many of the engineering and material aspects of the portal frame. Any specifications given here are minimal values; higher specification materials as long as they are equivalent in every aspect are encouraged.

The dimensional information on the drawing will serve as the specification for all parts and assemblies. The end user reserves the right to reject non-conforming parts or assemblies. Inspection records must be provided at acceptance.

In general this system is a high profile high technology state of the art research tool. As such appearance, fit, finish and high quality workmanship must prevail on all aspects of fabrication.

2. Construction Material

Material: A36 steel or equivalent [36 ksi (252 MPa)] yield strength. Material certifications must be provided at acceptance.

3. Welding

All welds should be full length welds, no zip or stitch welds are allowed. The welding should be consistent with high quality full strength welds so that the weld has similar to better mechanical properties to the surrounding parent material. Welding should follow established best practices and be of high quality and appearance. Poor visual appearance voids or apparent porosity is to be considered unacceptable. The weld material must be consistent and compatible with the parent material to avoid fatigue fracture in operation.

4. Bolts

All bolts and fasteners are to be grade 8 or SAE J490 (or A354 BD) or equivalent. Bolts of this grade have a minimum 130 ksi (896 MPa) yield, 150 ksi (1034 MPa) tensile and Rockwell hardness RC33-39. Bolt specifications must be provided at acceptance. All bolts must use and appropriately sized hardened washer and nut. No low quality washers or lock washers are to be used.

5. Assembly

All structural elements must be assembled and the fabrication shop to assure proper fit and function. Anti-seize lubricant shall be used on all threads to assure proper torque and prevent galling. All fasteners must be torque to grade 8 specifications using a proper torque wrench.

6. Machining

All machining shall conform to the dimensional and finish requirements of the shop drawings. Beyond the drawings, the vendor shall use high quality machining practices to produce a high quality fit and finish. Care must be taken to produce a machined surface finish per the shop drawings with no apparent tool marks, defects or poor workmanship.

7. Paint and finish

The final structure shall be painted except for mating surfaces or any machined surface, and threaded holes. Prior to painting the steel must be cleaned either mechanically with a wire brush, scotch bright wheel or sand/ bead blast to remove mill scale, rust and weld slag/splatter. The raw steel must be primed and then painted with a high quality gloss polyurethane paint or equivalent. Spray painting is required; brush or rolled finishes are unacceptable. A high quality paint job without runs or defects must be provided. The colour scheme is to be provided by NED prior to painting and colour chip should be given to the vendor prior to painting. Any required safety markings will be provided by NED at this time if required. Touch-up paint must be provided to NED to allow cosmetic flaws to be corrected after installation. All non-painted surfaces should be oiled and covered with visqueen poly sheeting or equivalent rest inhibitor scheme.

8. Packing and transport

The finished frame must be disassembled and transported to NED University and assembled on-site by vendor mechanics.

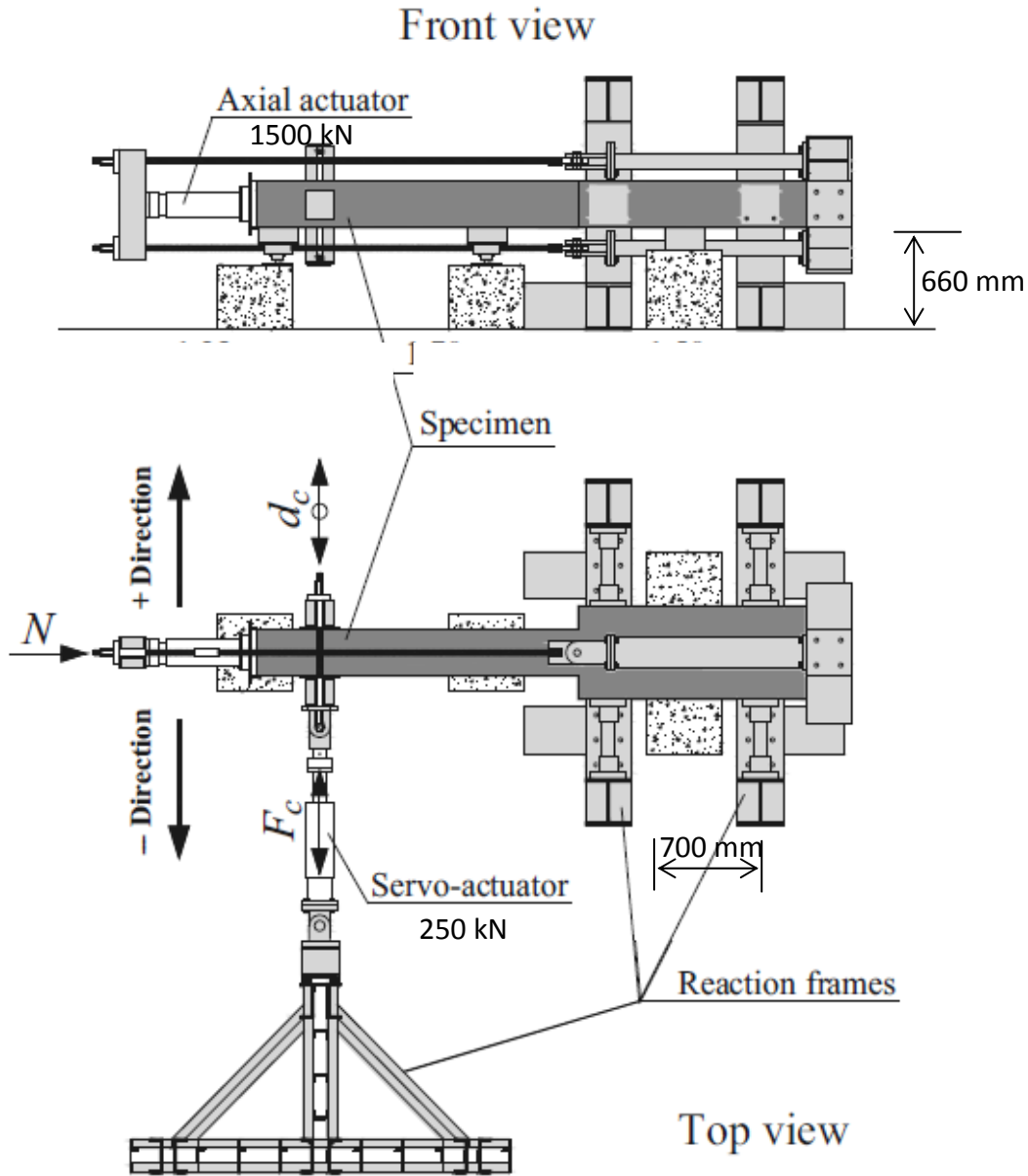
9. Acceptance on-site

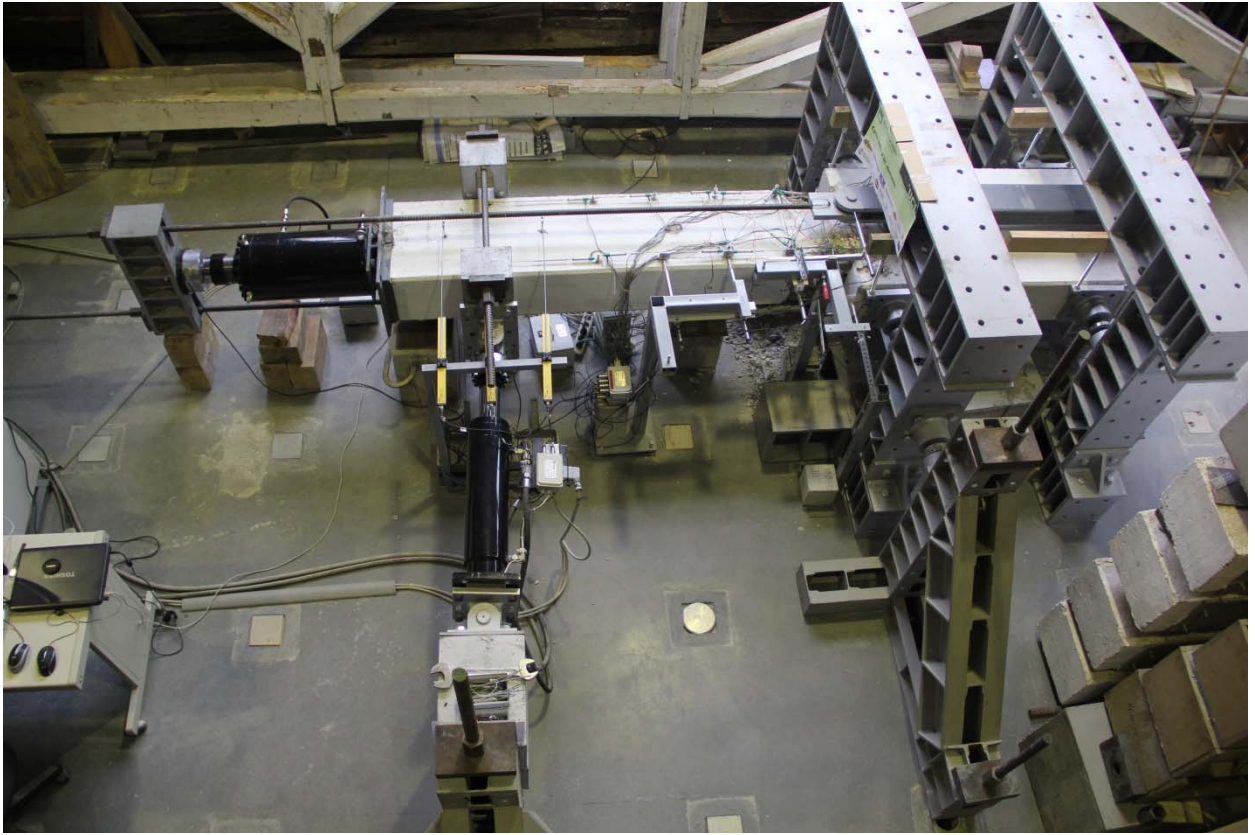
Upon successful final inspection, assembly and mounting of the aforementioned actuators, the load frame will be considered accepted. At this, any outstanding issues must be resolved to the satisfaction of end user and final payments will be made based on the agreed payment schedule.

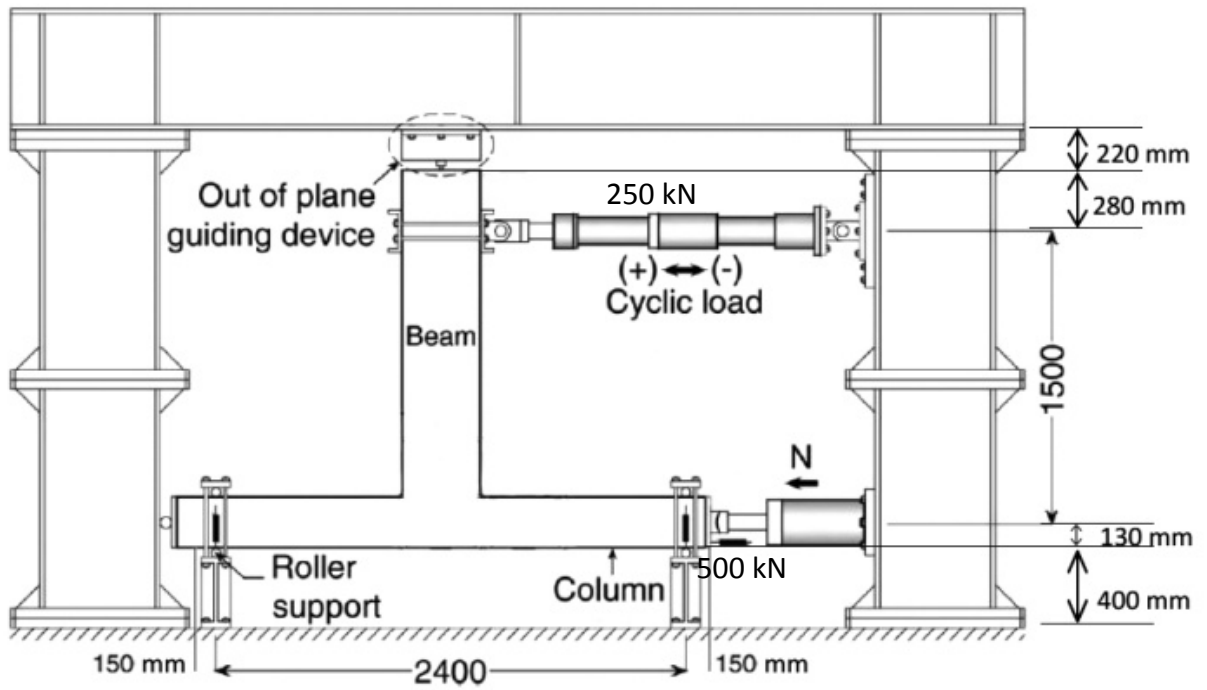
10. Documentation

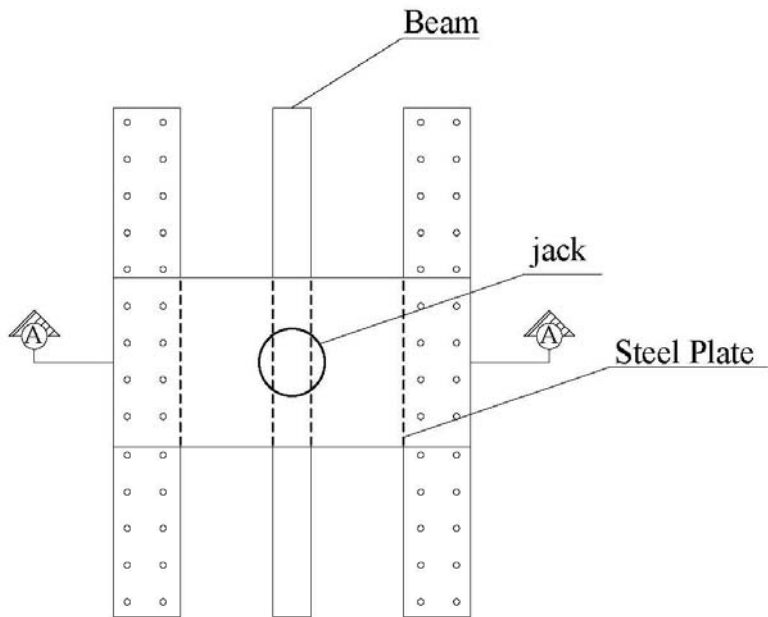
A folder must be supplied with all materials certifications and inspection reports.

Assembly for Testing of Columns under combined axial and lateral load

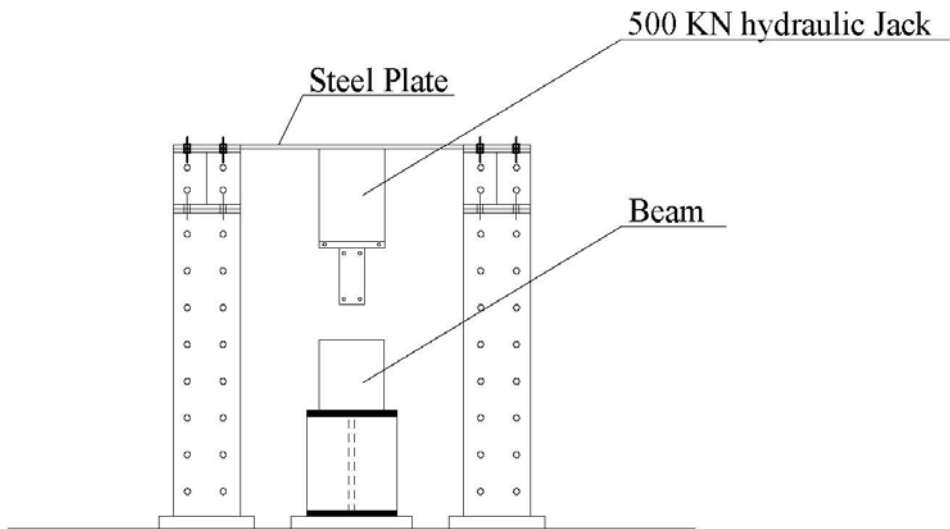




Assembly for Testing of Beam-Column Joints

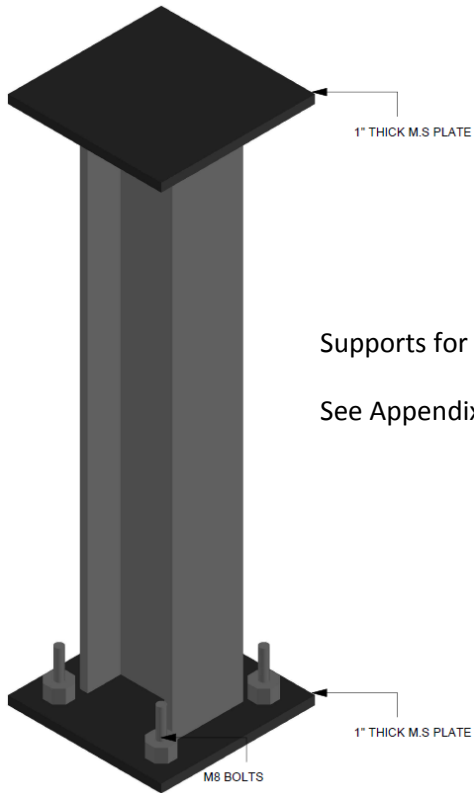
Assembly for Testing of Beam

PLAN



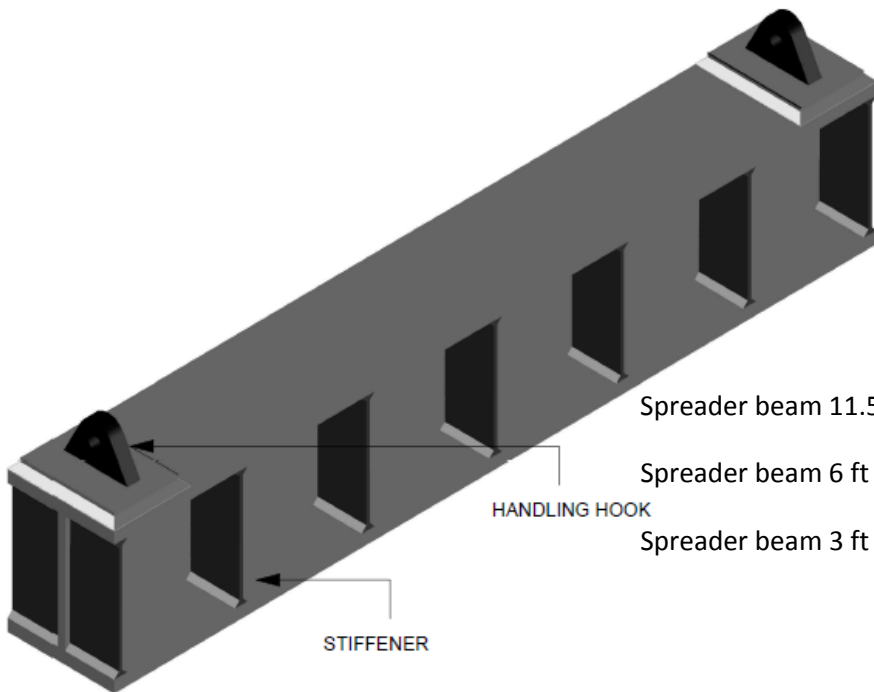
SECTION A-A

Support and Spreader Beam



Supports for testing of beams suitable for 250 kN load – 2 Nos

See Appendix C



Spreader beam 11.5 ft long suitable for 1500 kN load – 1 No

Spreader beam 6 ft long suitable for 500 kN load – 1 No

Spreader beam 3 ft long suitable for 500 kN load – 1 No

TENDER PARTICULARS

THE TENDERERS MUST SUPPLY THE FOLLOWING SPECIFIC INFORMATION FOR EACH ITEM OR GROUP OF ITEMS OF THE STORES:

1. Conformation of Stores

Whether the Stores offered conform to particulars specified in the Schedules; if not details of deviations must be stated in Annexure "F"

2. Manufacturing Details:

- (i) Brand of Equipment
- (ii) Name and address of Manufacturer: and
- (iii) Country of Origin of Stores.

3. Delivery Schedule:

- (i) Earliest date by which delivery can be effected
- (ii) Complete schedule of delivery: and
- (iii) If the delivery period is different for different items, it must be indicated item wise

4. Packing Specification:

Whether the specifications for packing given in the Tender Documents will be adhered to

ANNEXURE-C-1**FORM OF SCHEDULE TO TENDER FOR STORES
MANUFACTURED /AVAILABLE IN PAKISTAN WITHOUT INVOLVING IMPORT.**

Due by _____ hours on _____
(Time) (Date) (Month) (Year)

SCHEDULE TO TENDER NO. _____ dated _____

The Tender will be opened at _____ hours on _____
(Time) (Date) (Month) (Year)

Delivery on or before _____
(Date) (Month) (Year)

Rates and amount to be quoted in Pakistani Rupees

S. No.	Code/Item No.	Description of Stores	Detailed Specifications of Stores with Model	Quantity of Stores	Unit	Rate per Unit	Total Price
1	2	3	4	5	6	7	8

It is certifies that:

- i) The Stores offered above conform in all respects with the particulates/ specifications given in the Tender Documents' and
- ii) All the terms and conditions of the Tender Documents are acceptable to us:

(Signature of the authorized person)

(Name of the authorized person)

SEAL

(Name of the Tenderer)

ANNEXURE-C-2

**FORM OF SCHEDULE TO TENDER FOR STORES
IMPORTED FROM APPROVED COUNTIES.**

Due by _____ hours on _____
(Time) (Date) (Month) (Year)

SCHEDULE TO TENDER NO. _____ dated _____

The Tender will be opened at _____ hours on _____
(Time) (Date) (Month) (Year)

Delivery on or before _____
(Date) (Month) (Year)

Part: 1: The rates quoted in the Table below must be on C&F basis:

S. No.	Code/Item No.	Description of Stores	Detailed specifications or Stores with Model No.	Quantity of Stores	Unit	Rate per Unit	Currency	Total C&F price	Currency of Origin
1	2	3	4	5	6	7	8	9	10

Part 2. The rates quoted in the Table below must be in Pakistani Rupees:

S. No.	Code/Item No.	Description of Stores	Quantity of Stores	Unit	Rate per Unit	Total Price
1	2	3	4	5	6	7

(Continued on the next page)

ANNEXURE C-2**NOTE:**

In the table below the columns 1 to 5 and 8 are to be filled in by Tenderer before submitting the Tender, while the columns 6, 7 and 9 are to be filled in jointly by the Director Procurement, NED University of Engineering and Technology, Karachi, or his representative, and the Tenderer, or his representative, after opening of the Tender.

S. No.	Code/No.	Description of Stores	Total C&F price for Part-1	Currency	Exchange Rate	Total price of Part I (Rs.)	Total price of Part II (Rs.)	Total Cost (Rs.)
1	2	3	4	5	6	7	8	9

It is certified that:

- i) This Stores offered above conform in all respects with the particulars/ Specifications given in the Tender Documents; and
- ii) All the terms and conditions of the Tender Documents are acceptable to us.

(Name of the Tenderer)

(Signature of the authorized person)

SEAL

(Name of the authorized person)

Annexure "D"**BID BOND**
(Bank Guarantee)

Guarantee No. _____
 Executed on _____
 Expiry date _____

Letter by the Guarantor (Bank) to the Employer (University)

Name of Guarantor (Bank) with address: _____

Name of Principal (Tenderer) with address: _____

Penal sum of Security (Bond), (in figures and words): _____

Tender Reference No. _____ date of tender _____

KNOW ALL MEN BY THESE PRESENT, that in pursuance of the terms of the Tender and at the request of the said principal (Tenderer), we the Guarantor above-named are held and firmly bound unto the Vice Chancellor, NED University of Engineering and Technology, Karachi, acting through the Director Procurement, NED University of Engineering and Technology, Karachi, (hereinafter called the "Employer" (University)) in the sum stated above, for the payment of which sum well and truly to be made, we bind ourselves, our heirs, executors, administrators and successors jointly and severally, firmly by these presents.

THE CONDITION OF THIS OBLIGATION IS SUCH, that whereas the Principal (Tenderer) has submitted the accompanying Tender numbered and dated as above for supply, installation, putting into operation and demonstration of equipment in the laboratories NED University of Engineering and Technology, Karachi, to the said Employer (University): and

Whereas, the Employer (University) has required as a condition for considering the said Tender that the principal (Tenderer) furnish a Bid Bond in the above said sum to the Employer (University), conditioned as under;

- 1) That the Bid Bond shall remain valid for a period of 28 days beyond the period of validity of the Tender;

- 2) That in the event of :
- a) The Principal (Tenderer) withdraws his Tender during the period of validity of the Tender;
 - b) The Principal (Tenderer) does not accept the correction of his Tender price, pursuance to Clause 16 of "Instruction to Tenderers"; or
 - c) Failure of the successful Tenderer to:
 - i) Furnish the required Contract Performance Bond, accordance with Clause 3 of "Instruction to Tenderers"; or
 - ii) Sign the proposed Contract Agreement, in accordance with Clause 4 of the "Conditions of Contract";

then the entire sum be paid immediately to the said Employer (University) as liquidated damages and not as penalty for the successful Tenderer's failure to perform.

NOW THEREFORE, if the successful tenderer shall, within the period specified therefore, on the prescribed form presented to him for signature entire into a format Contract with the said Employer (University) in accordance with his Tender as accepted and furnish within twenty eight (28) days of his being required, to so, a Contract Performance Bond with good and sufficient surety, as may be required, upon the form prescribed by the said Employer (University) for the faithful performance and fulfillment of the said Contract or in the event of rejection of the said Tender by the Employer (University) within the time specified then this obligation shall be void and of no effect, but otherwise to remain in full force and effect.

PROVIDED THAT, the Guarantor shall forthwith pay to the Employer (University) the said sum stated above upon first written demand of the Employer (University) without cavil or argument and without requiring the Employer (University) to prove or to show grounds or reasons for such demand notice of which shall be sent by the Employer (University) by registered post duly addressed to Guarantor at its address given above.

PROVIDED ALSO THAT, the Employer (University) shall be the sole and final judge for deciding whether the Principal (Tenderer) has duly performed his/her obligations to sign the Contract Agreement and to furnish the required Contract Performance Bond within the time stated, above or has defaulted in fulfilling the said requirements and the Guarantor shall pay without objection the sum stated above upon first written demand from the Employer (University) forthwith and without reference to the Principal (Tenderer) or any other person.

IN WITNESS WHEREOF, the above bounden Guarantor has executed the Instrument under its seal on the date indicated above, the name and seal of the Guarantor being hereto affixed and these presents duly signed by its undersigned representative pursuant to the authority of its governing body.

Guarantor (Bank)

Witness:

1. _____
(Signature)

(Signature)

Name, Title, Address and Seal)

(Name)

2. _____
(Signature)

(Title)

Name, Title, Address and Seal)

(Corporate Guarantor Seal)

CONTRACT PERFORMANCE BOND
(Bank Guarantee)

Guarantee No. _____
Executed on _____
Expiry date _____

Letter by the Guarantor (Bank) to the Employer (University)

Name of Guarantor (Bank) with address: _____

Name of Principal (Tenderer) with address: _____

Penal sum of Security (Bond), (in figures and words): _____

Letter of Acceptance No. _____ Date _____

KNOW ALL MEN BY THESE PRESENT, that in pursuance of the Tender Documents and above said Letter of Acceptance (hereinafter called the Documents) and at the request of the said Principal (Contractor) we, the Guarantor above named, are held and firmly bound unto the Vice Chancellor, NED University of Engineering and Technology, Karachi, acting through the Director Procurement, NED University {hereinafter called the Employer (University) in the penal sum of amount stated above for the payment of which sum well and truly to be made to the said Employer (University), we bind ourselves, our heirs, executors, administrators and successors, jointly and severally, firmly by these presents.

THE CONDITION OF THIS OBLIGATION IS SUCH, that whereas the Principal (Contractor) has accepted the Employer's (University's) above said Letter of Acceptance for the supply, installation, putting into operation and demonstration of Equipment of laboratories of NED University Engineering and Technology, Karachi.

NOW THEREFORE, if the Principal (Contractor) shall well and truly perform and fulfill all the undertaking, covenants, terms and conditions of the said Documents during the original terms of the said Documents and any extensions thereof that may be granted by the Employer (University), with or without notice to the Guarantor, which notice is hereby waived and shall also well and truly perform and fulfill and the undertaking, covenants, terms and conditions of the Contract and of any and all modification of the said Documents that may hereafter be made, notice of which modifications to the Guarantor being hereby waived, then, this obligation to be void; otherwise to remain in full force and virtue till the expiry of the guaranty period as per Clause 23 of the Conditions of Contract.

Our total liability under this Guarantee is limited to the sum stated above and it is a condition of any liability attaching to us under this Guarantee that the claim for payment in writing shall be received by us within the validity period of this Guarantee, failing which we shall be discharged of our liability, if any under this Guarantee.

We, _____ (the Guarantor), waiving all objections and defenses under the Contract, do hereby irrevocably and independently guarantee to pay to the employer (University) without delay upon the Employer's (University) to prove or to show grounds or reasons for such demand any sum or sums up to the amount stated above, against the Employer's (University's) written declaration that the Principal (Contractor) has refused or failed to perform the obligations under the Contract which payment will be effected by the Guarantor to the Employer's (University's) designated Bank and Account Number.

PROVIDED ALSO THAT the Employer (University) shall be the sole and final judge for deciding whether the Principal (Contractor) has duly performed his obligations under the Contract or has defaulted in fulfilling the said obligations, and the Guarantor shall pay without objection any sum or sums up to the amount stated above upon first written demand from the Employer (University) forthwith and without any reference to the Principal (Contractor) or any other person.

IN WITNESS WHEREOF, the above bounden Guarantor has executed this Instrument under its seal on the date indicated above, the name and corporate seal of the Guarantor being, hereto affixed and these presents duly signed by its undersigned representative, pursuant to authority of its governing body.

Guarantor (Bank)

Witness:

1. _____
(Signature)

(Signature)

Name, Title and Address (Seal)

(Name)

2. _____
(Signature)

(Title)

Name, Title and Address (Seal)

(Corporate Guarantor (Seal))

ANNEXURE "F"**Statement Describing Deviation from Specification**

S. No.	Code No.	Description of Stores	Statement of Variation from Specifications	Reasons for Variations
1	2	3	4	5

 (Signature of the authorized person)

 (Name of the authorized person)

(SEAL)

On behalf of

 (Name and address of the Tenderer)